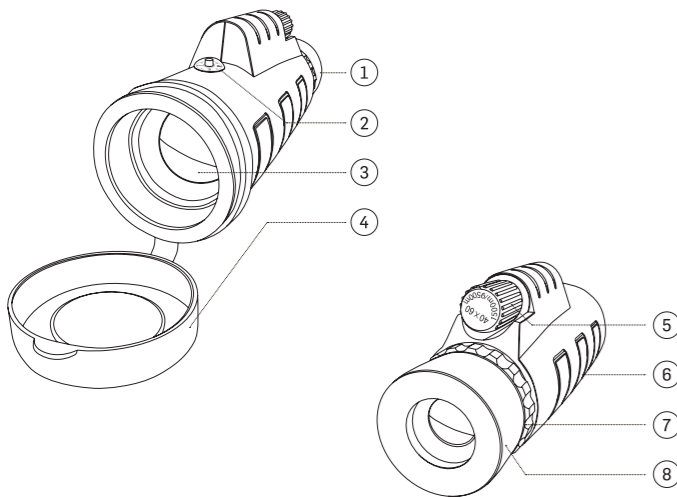


MONOCULAR TELESCOPE



1. Eye Piece Dust Cover
2. Compass
3. Objective Lens
4. Lens Dust Cover
5. Focus Dial
6. Easy-Grip Texture
7. Diopter Adjustment
8. Ocular Lens Adjustment

This manual will help you optimize your viewing experience by explaining how to adjust the optics to your eyes and how to care for it.

Read the following instructions carefully before using your monocular.

IMPORTANT SAFETY INFORMATION

WARNING: CHOKING HAZARD – Contains small parts unsuitable for children under 6 years old without adult supervision.

DANGER: NEVER LOOK DIRECTLY AT THE SUN WITH YOUR MONOCULAR AS IT MAY CAUSE SERIOUS DAMAGE TO YOUR EYES.

How to Adjust for Individual Eye Strength

As individual eyesight varies from one person to another, your Monocular Telescope has a diopter adjustment which allows you to fine-tune the monocular to your vision.

Eyecup Adjustment for Glasses

For users with eyeglasses, twist the ocular lens adjustment down for better comfort and a full field of vision. For users without eyeglasses, twist the ocular lens adjustment up to exclude extraneous light.

How to Focus

Simply rotate the focus dial until your subject appears as sharp as possible.

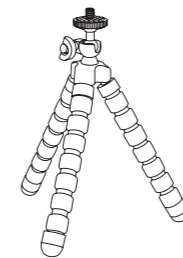
Waterproof/Fogproof

Your Monocular Telescope has been built utilizing the latest waterproofing technology and is engineered to be fogproof so you can see clearly in any weather.

Tripod Socket

Your Monocular Telescope is compatible with a tripod. Attach a compatible tripod (optional accessory) by screwing on the threaded socket found at the bottom of your monocular.

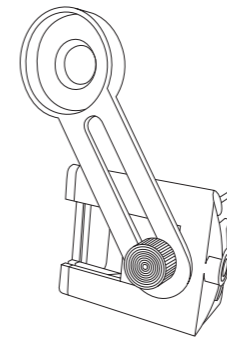
SOLD SEPARATELY



Smartphone Attachment

Your Monocular Telescope is compatible with any smartphone as a super telephoto lens for your camera. Using a compatible attachment such as the Phone Clip (optional accessory), easily attach your monocular to your device. Snap onto your smartphone, adjust over your smartphone camera lens, and be sure to tighten your monocular in place. Open your camera app and zoom in to eliminate any black borders.

SOLD SEPARATELY



Instructions for Care

1. Avoid hard impacts. Set your monocular down gently on hard surfaces.
2. Ensure your monocular is attached securely to any accessories before use.
3. Store your monocular in a cool, dry place whenever possible.

Cleaning

1. Blow away any dust or debris on the lens or use a soft lens brush. Do not rub.
2. To remove dirt or fingerprints, use a microfiber cleaning cloth and gently clean in a circular motion. Using a coarse cloth or unnecessary rubbing may scratch the lens surface, eventually causing permanent damage.
3. For a more thorough clean, use photography-type cleaning fluid or isopropyl alcohol. Always apply cleaning fluid to a cleaning cloth and never directly on the lens.

Technical Specifications

Magnification	10X
Lens	Fully Multi-Coated (FMC), Green
Objective Diameter	50mm
Waterproof	Yes
Fogproof	Yes
Color	Black
Exit Pupil	3mm
Eye Relief	20mm
Prism Glass/Type	BAK4
Field of View	114/1100mm
Dimensions	155x70x44mm
Weight	320grams
Adaptable to Tripod	Yes
Adaptable to Smartphone	Yes